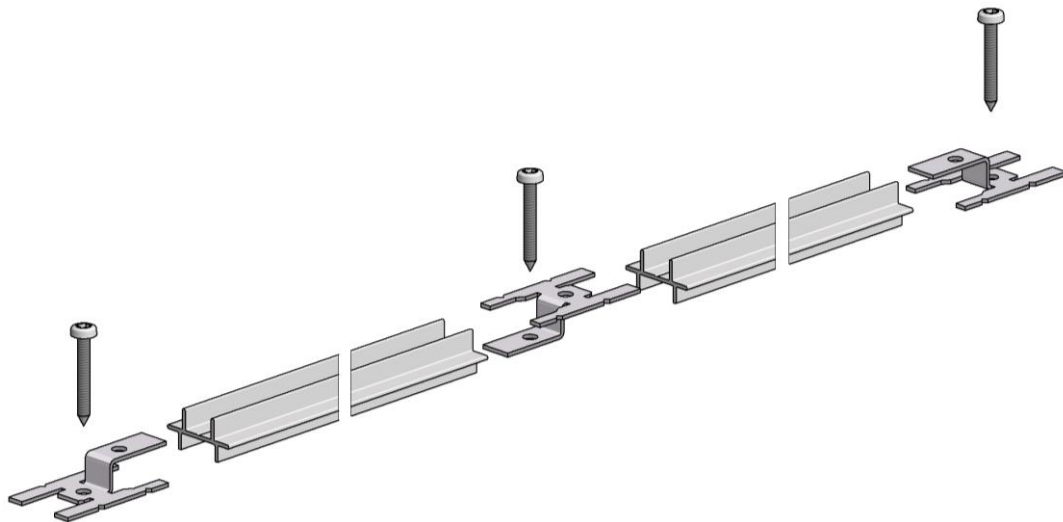


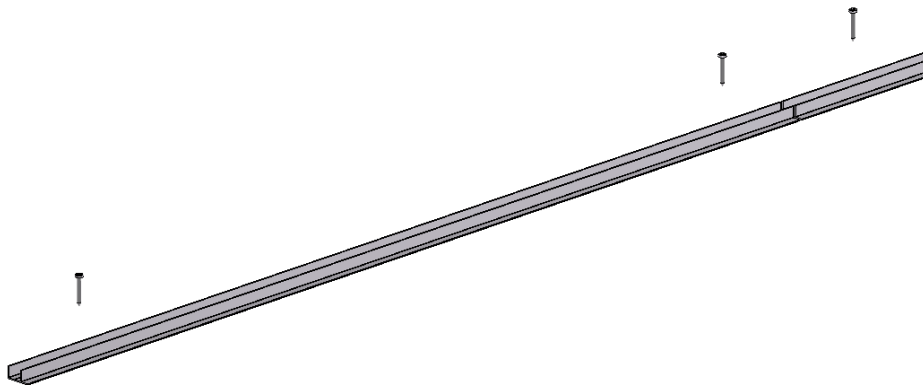
Solar systems from Schweizer

Installation instructions - Solrif Eaves profile 21875 and 23105

21875 - Eaves profile 1.2 m (until 2024)



23105 - Eaves profile 1.2 m, black (from 2024)

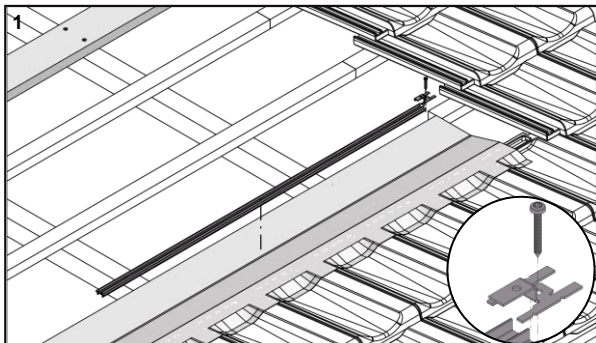


Solar systems from Schweizer

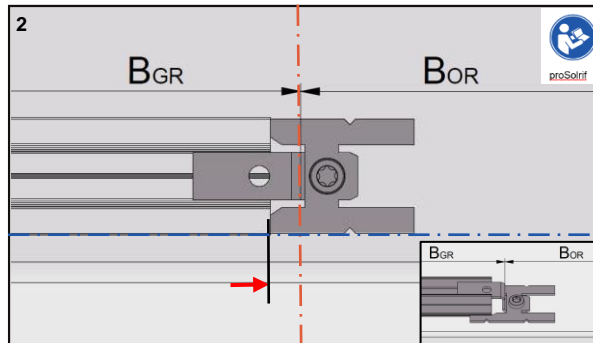
Installation instructions - Solrif eaves profile 21875 and 23105

Assembly sequence 21875 - Eaves profile 1.2 m (until 2024)

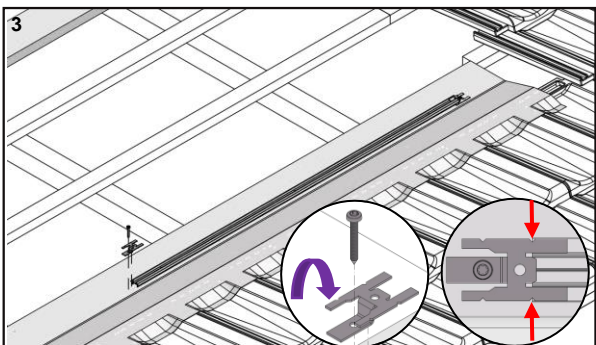
For the dimensions B_{GR} , B_{OR} , B_{OL} see Solrif installation instructions.



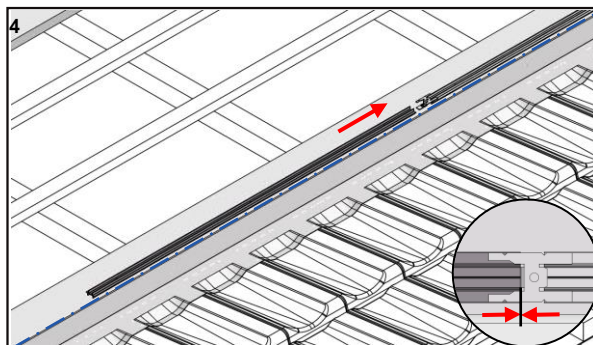
Position the eaves profile and the profile fixing.



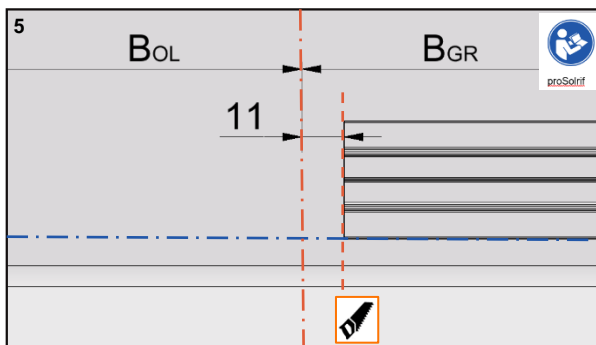
Align the eaves profile with the reference (blue) and the profile fixing to B_{OR} . Push the eaves profile in as far as the stop on the profile fixing.



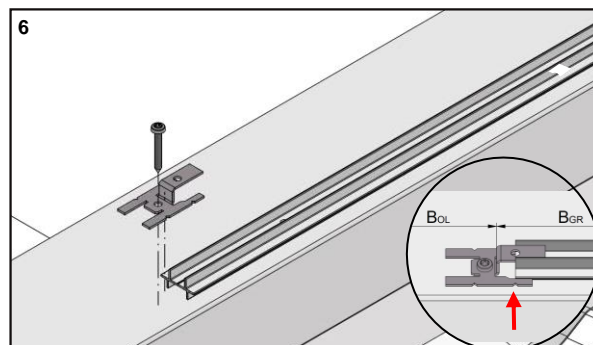
Rotate and screw on the clips.
Observe the position marks.



Slide the next eaves profile under the profile fixing to the stop and align with the reference.
Repeat this step until the end of the PV field.



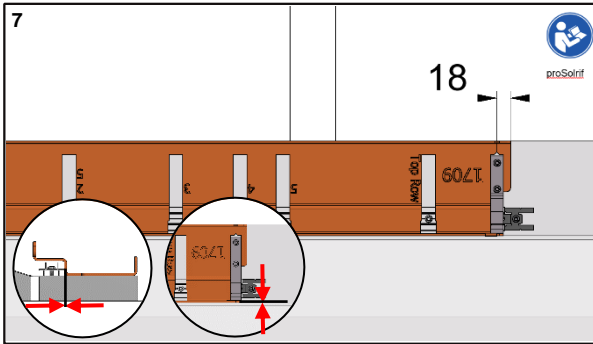
Shorten the last eaves profile by at least 11 mm compared to B_{GR} .



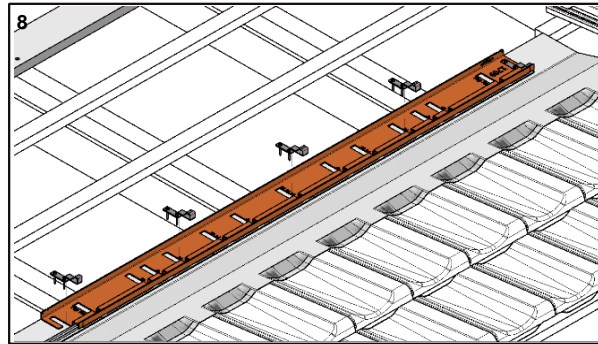
Set and screw down the end profile fixing.
Observe the position marks.

Solar systems from Schweizer

Installation instructions - Solrif eaves profile 21875 and 23105

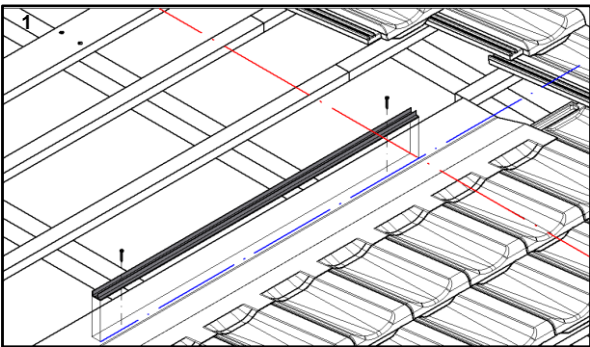


Attach the mounting gauge to the eaves profile. Set the mounting clamp with the mounting gauge.

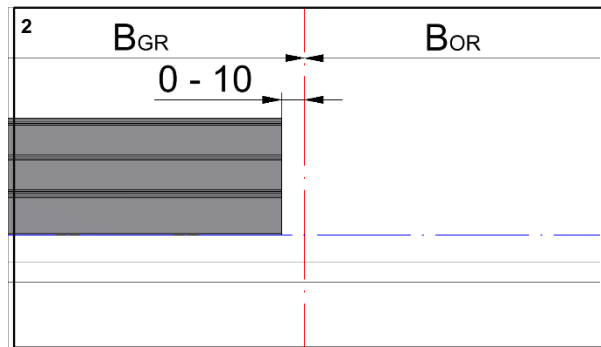


Screw on additional profile and glass mounting clamps (number according to proSolrif report).

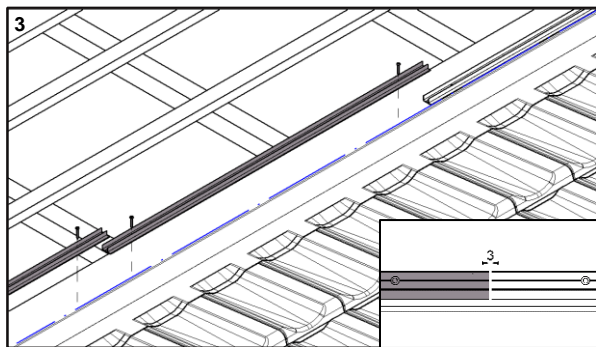
Assembly sequence 23105 - Eaves profile 1.2 m, black (from 2024)



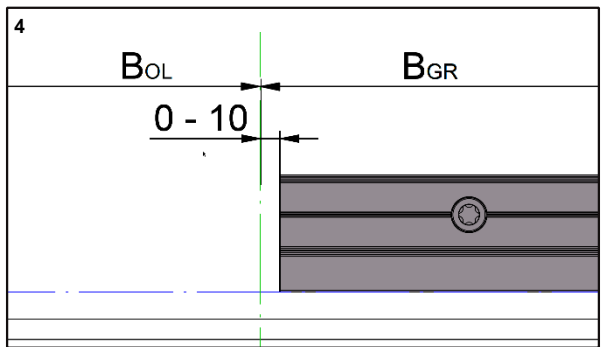
Align the eaves profile with the horizontal reference (blue).



Distance to vertical reference (red) 0- 10 mm



Lay further eaves profiles at 3 mm intervals.



Shorten the last eaves profile compared to B_{GR} 0 - 10 mm. If necessary, drill an additional through hole $\varnothing 6.4$ mm.

Continue with mounting clamp assembly with mounting gauge.