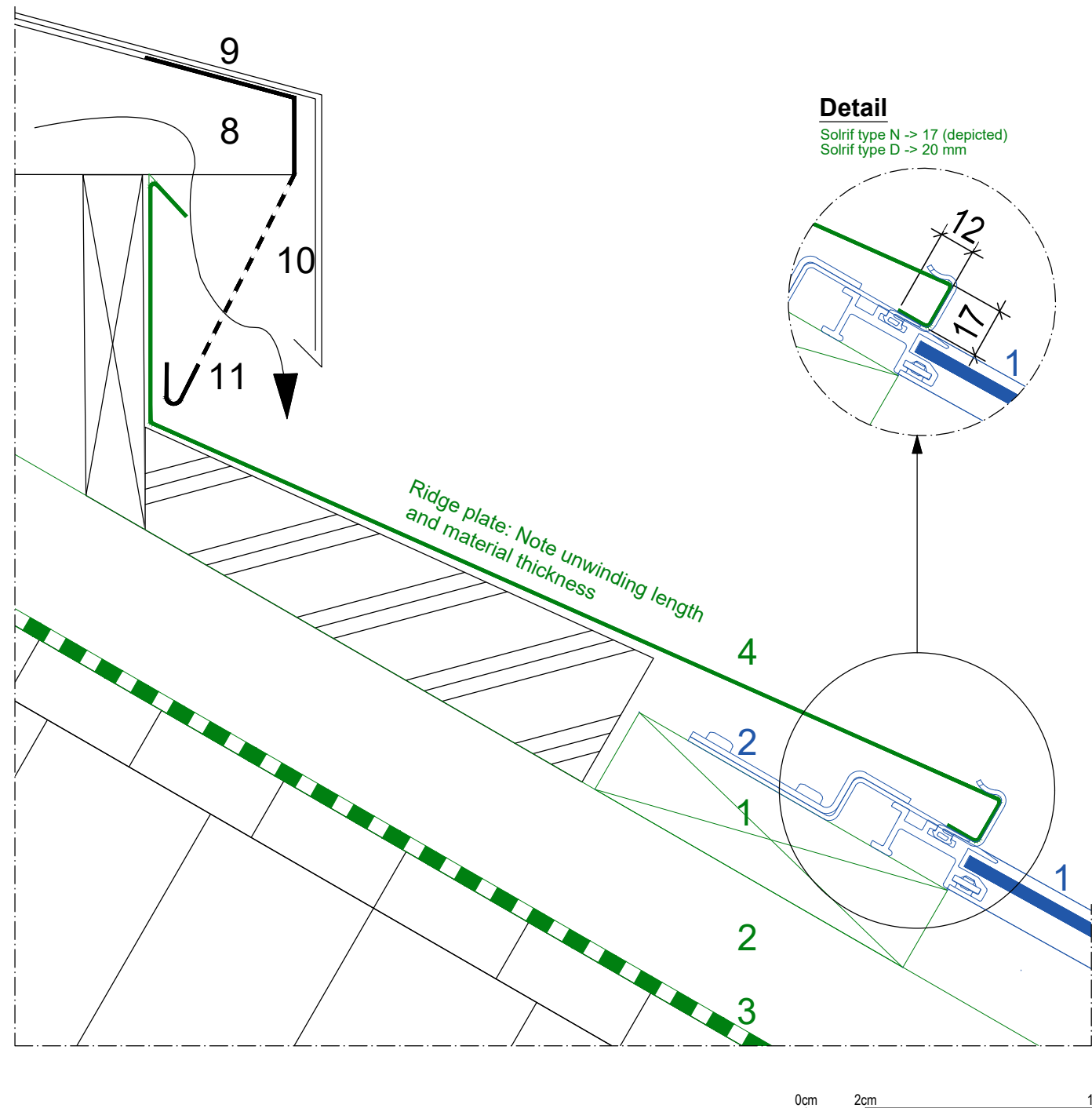


Complete BIPV roof data inventory with Solrif

Ridge detail

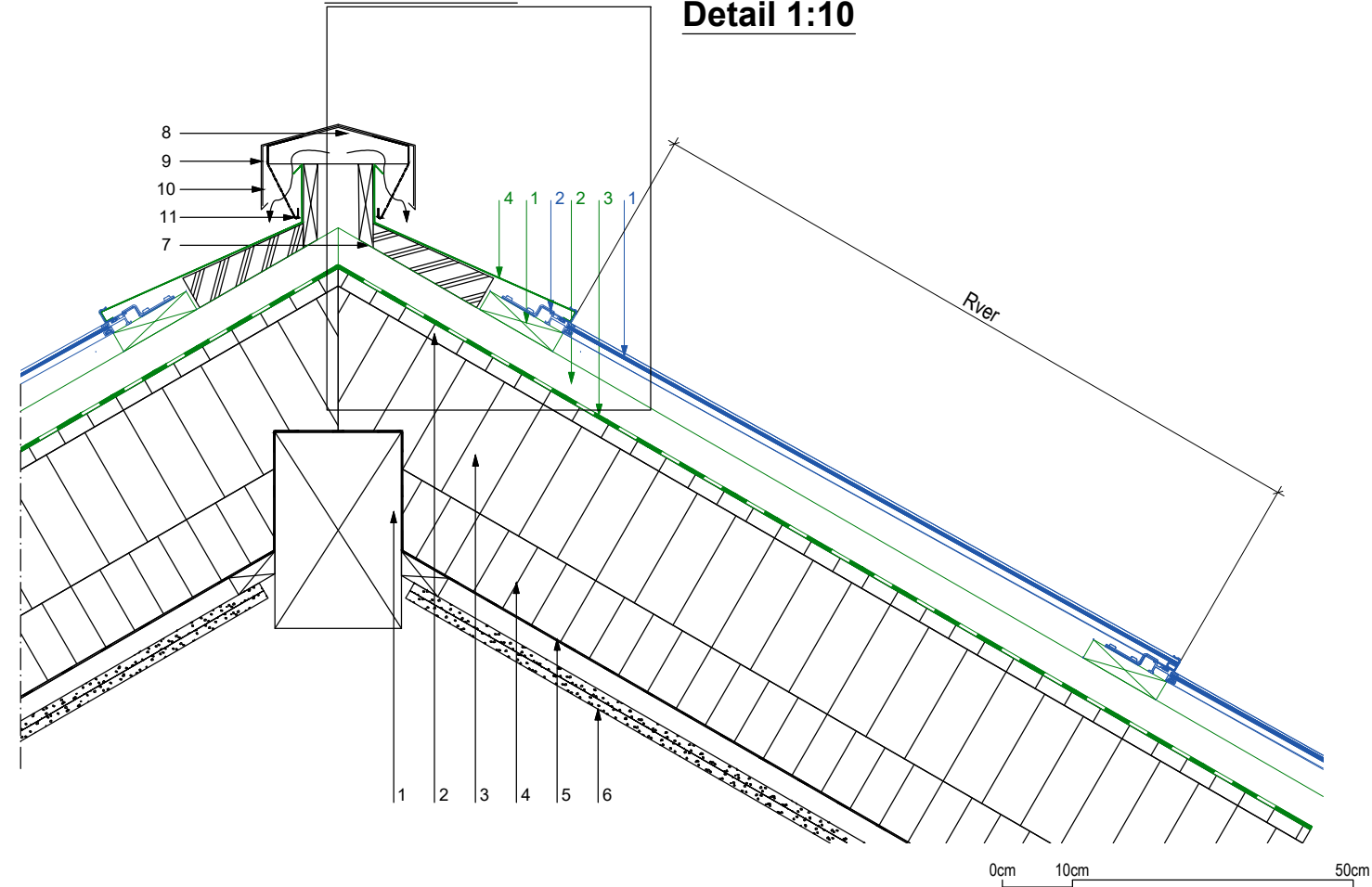
Both sides of roof surfaces with modules –
ridge with sheet metal cover

Detail section 1:2



Detail section

Detail 1:10



Key

Solrif range:

- 1 Solrif module or dummy module
- 2 Profile mounting bracket

Technical system elements:

- 1 Solrif batten screwed into wood, min. 120 x 30 mm; strength class C24 in accordance with EN 338
- 2 Counter batten (in accordance with guidelines) / ventilation space
- 3 Underroof (depending on roof pitch, in accordance with guidelines) Temperature resistance of film at least 80°C
- 4 Ridge connection plate

Construction / components:

- 1 Ridge purlin
- 2 Soft wood fibreboard
- 3 Rafters / Thermal insulation between rafters
- 4 Thermal insulation under rafters
- 5 Vapour barrier
- 6 Inner panelling
- 7 Timber formwork
- 8 Substructure ridge vent
- 9 Ridge plate
- 10 Continuous suspension strips
- 11 Perforated plate

Applicability notice for structural connections for Solrif complete roof solutions © Ernst Schweizer AG.

This structural depiction serves as an implementation concept and as a recommendation for safe realisation. Images are illustrative and may differ from actual components.

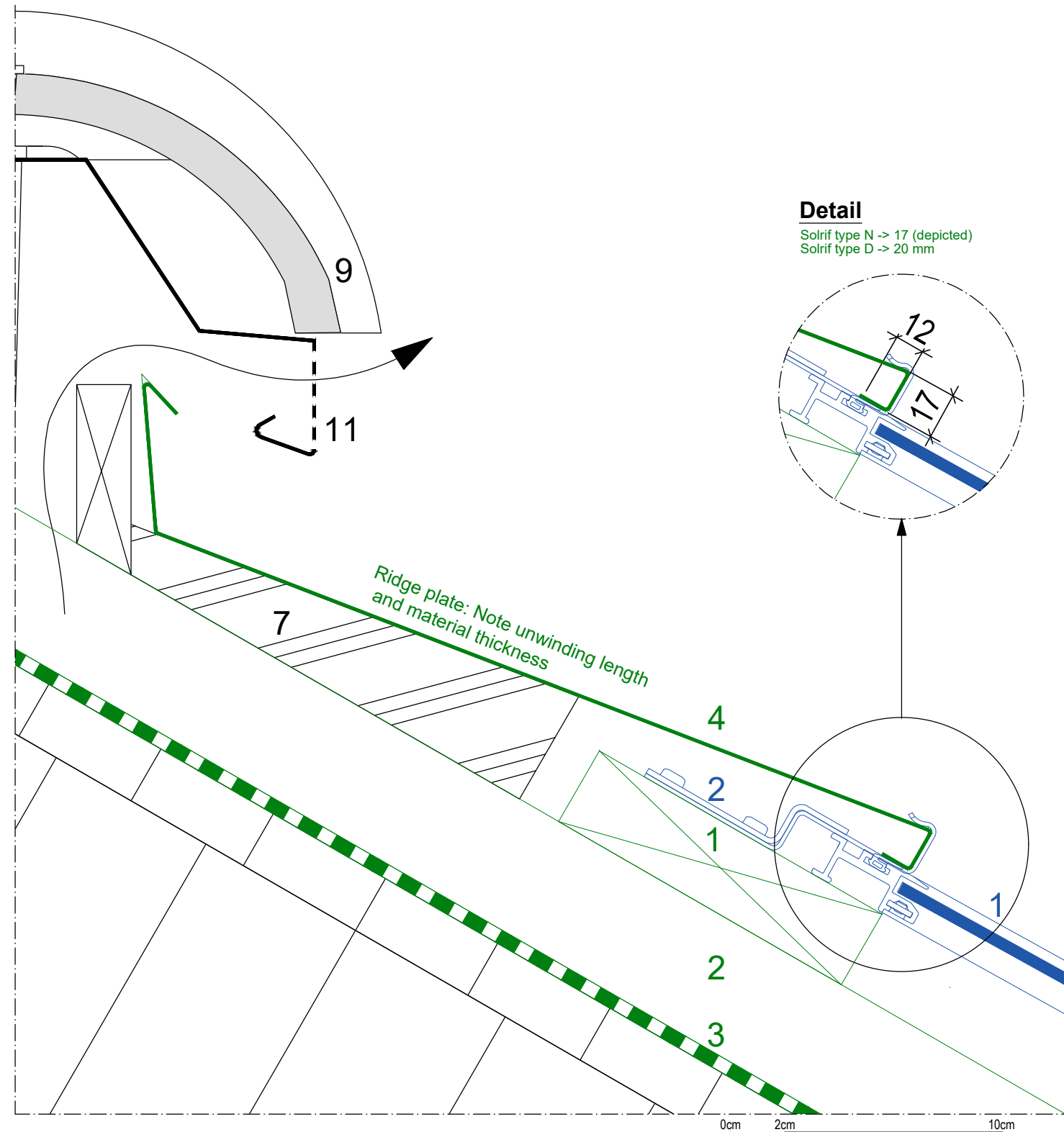
Because of national construction specifications and regional practices, these should be checked on a project-specific basis and adapted if necessary. Please refer to the SIA 232/1 standard for Switzerland, the ZVDH rules for Germany and ÖNROM B 4119:2018 03 Planning and execution of underroof constructions and underlays for Austria. Otherwise, the General Terms and Conditions of Ernst Schweizer AG (www.ernstschweizer.ch/agb) apply.

Complete BIPV roof data inventory with Solrif

Ridge detail

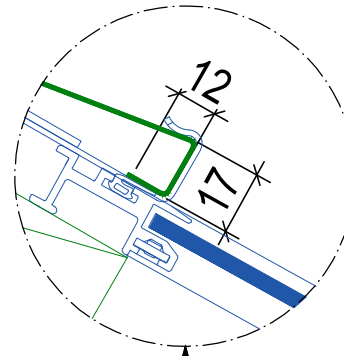
One side of roof surfaces with modules –
ridge with tile covering

Detail section 1:2



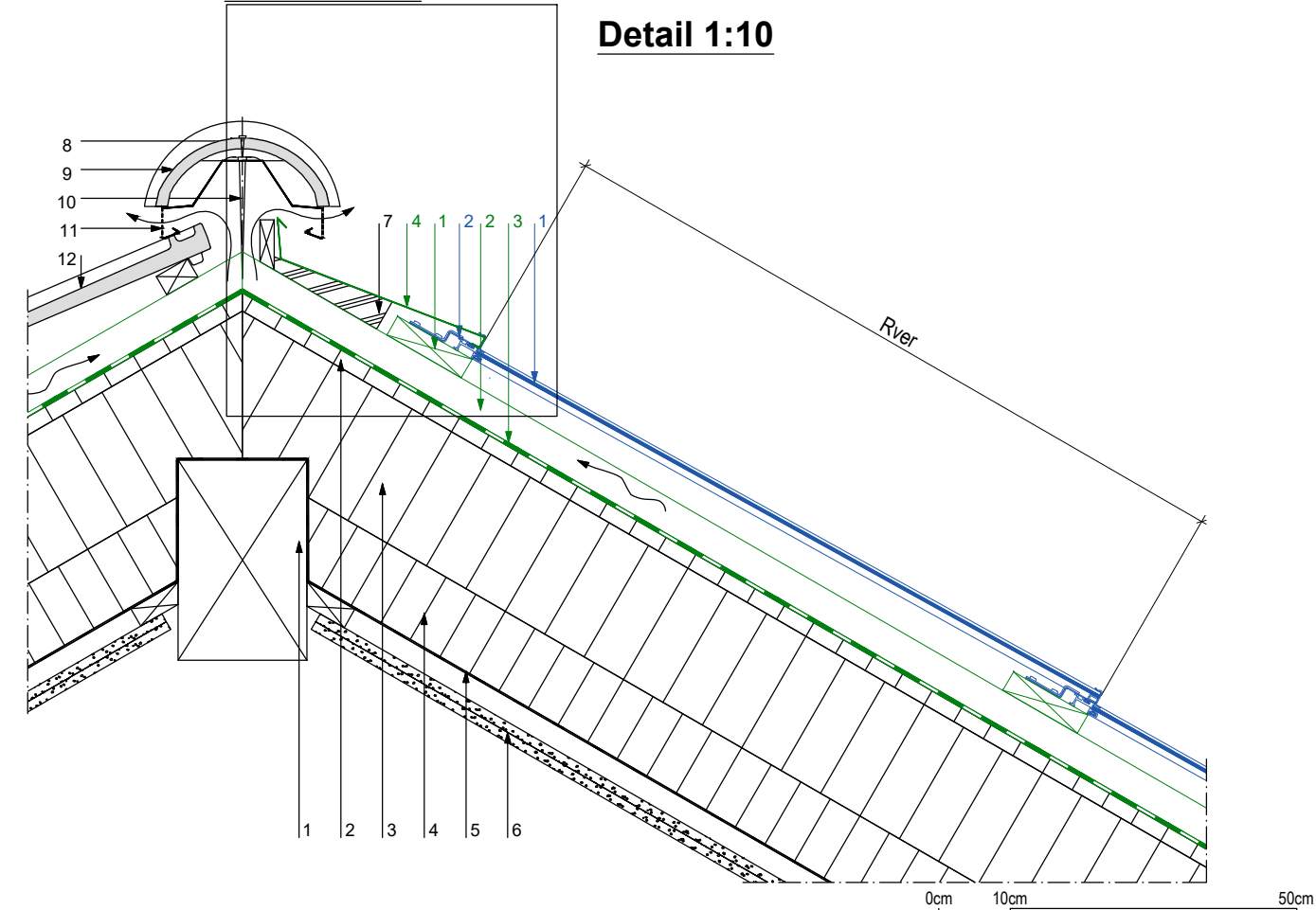
Detail

Solrif type N -> 17 (depicted)
Solrif type D -> 20 mm



Detail section

Detail 1:10



Key

Solrif range:

- 1 Solrif module or dummy module
- 2 Profile mounting bracket

Technical system elements:

- 1 Solrif batten screwed into wood, min. 120 x 30 mm; strength class C24 in accordance with EN 338
- 2 Counter batten (in accordance with guidelines) / ventilation space
- 3 Underroof (depending on roof pitch, in accordance with guidelines) Temperature resistance of film at least 80°C
- 4 Ridge connection plate

Construction / components:

- 1 Ridge purlin
- 2 Soft wood fibreboard
- 3 Rafters / Thermal insulation between rafters
- 4 Thermal insulation under rafters
- 5 Vapour barrier
- 6 Inner panelling
- 7 Timber formwork
- 8 Ridge fixing screw
- 9 Ridge tile
- 10 Fastening screw
- 11 Ridge venting profile
- 12 Tile

Applicability notice for structural connections for Solrif complete roof solutions © Ernst Schweizer AG.

This structural depiction serves as an implementation concept and as a recommendation for safe realisation. Images are illustrative and may differ from actual components.

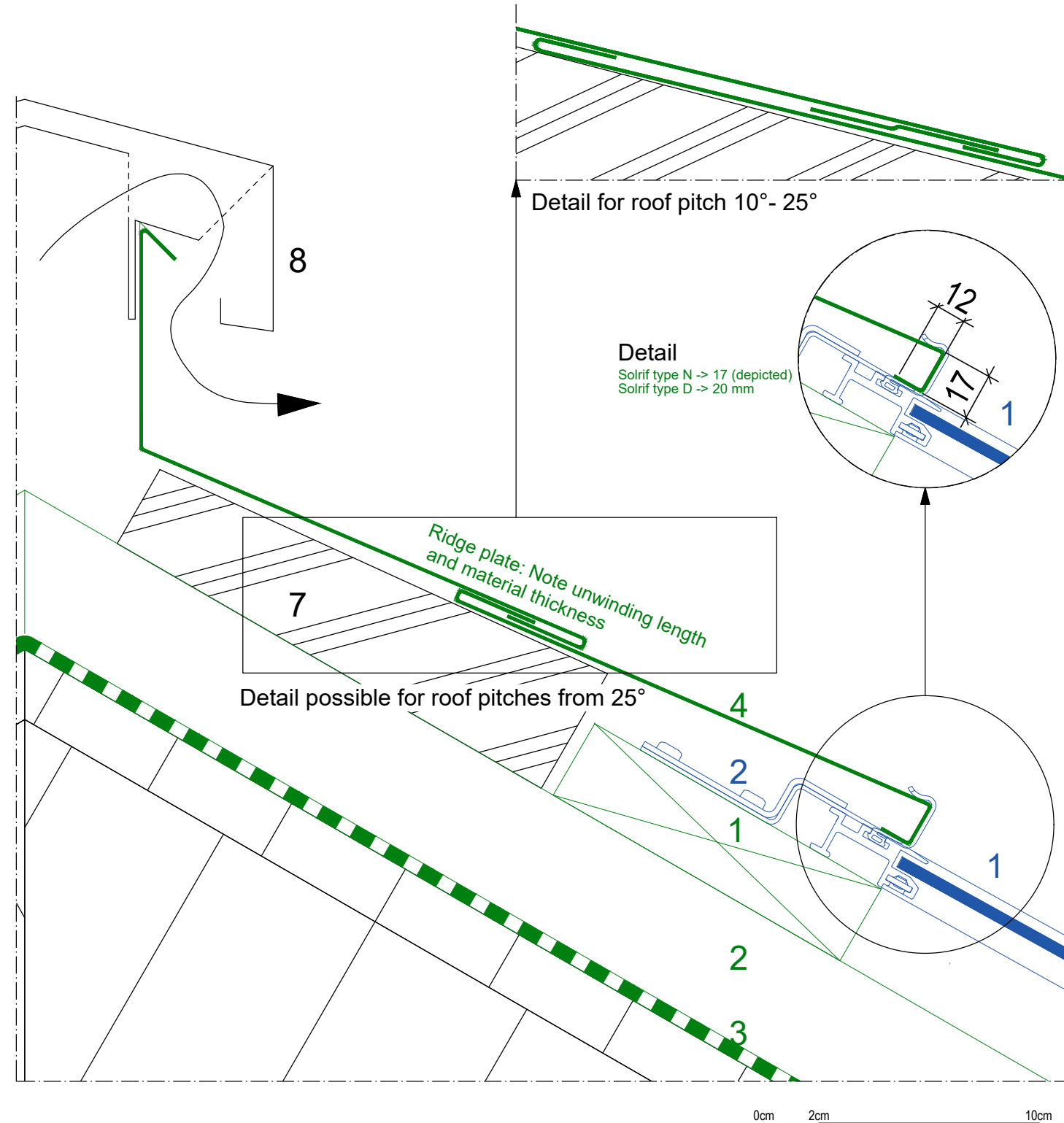
Because of national construction specifications and regional practices, these should be checked on a project-specific basis and adapted if necessary. Please refer to the SIA 232/1 standard for Switzerland, the ZVDH rules for Germany and ÖNROM B 4119:2018 03 Planning and execution of underroof constructions and underlays for Austria. Otherwise, the General Terms and Conditions of Ernst Schweizer AG (www.ernstschweizer.ch/agb) apply.

Complete BIPV roof data inventory with Solrif

Ridge detail

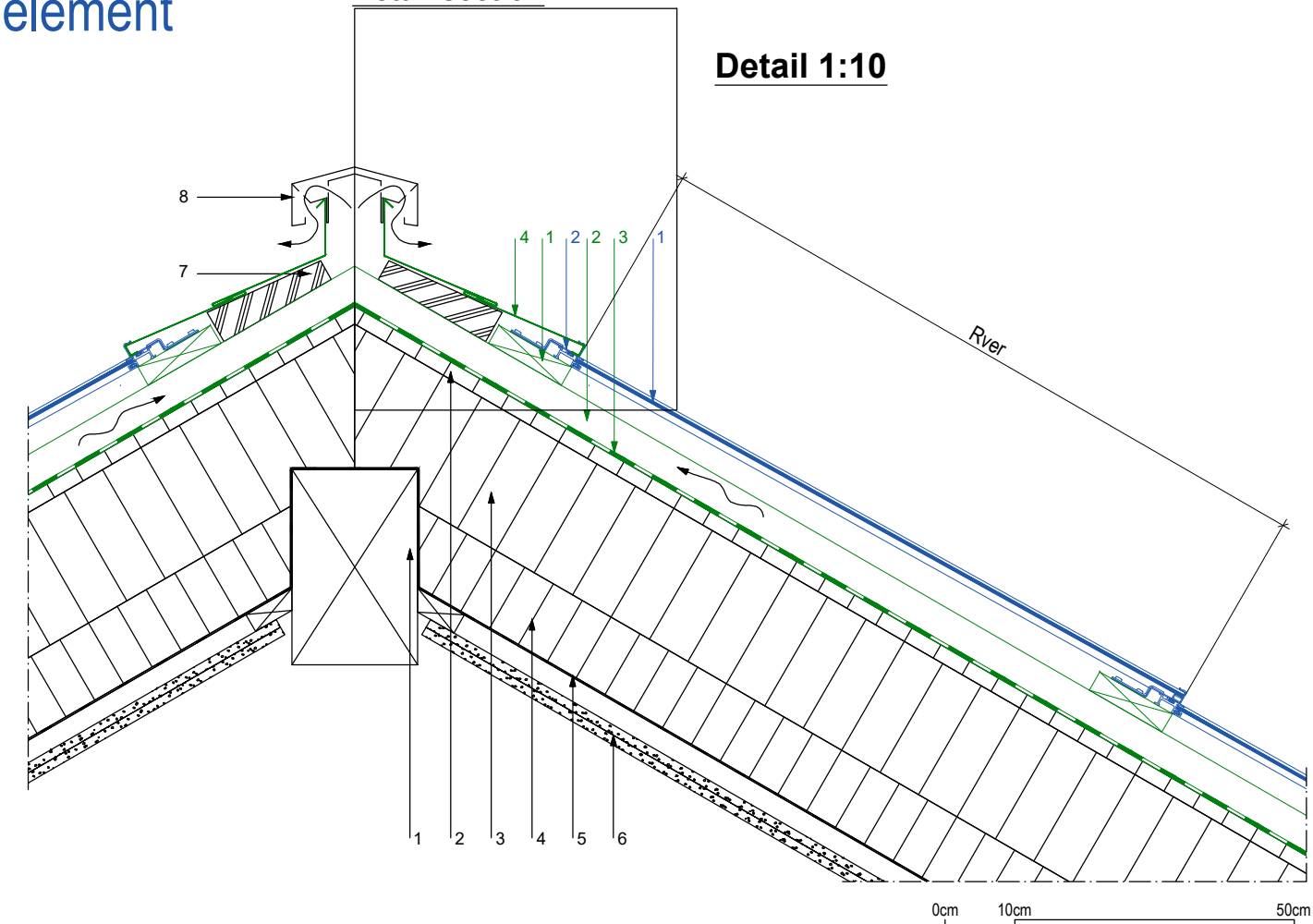
Both sides of roof surfaces with modules - ridge with ventilated ridge element

Detail section 1:2



Detail section

Detail 1:10



Key

Solrif range:

- 1 Solrif module or dummy module
- 2 Profile mounting bracket

Technical system elements:

- 1 Solrif batten screwed into wood, min. 120 x 30 mm; strength class C24 in accordance with EN 338
- 2 Counter batten (in accordance with guidelines) / ventilation space
- 3 Underroof (depending on roof pitch, in accordance with guidelines) Temperature resistance of film at least 80°C
- 4 Ridge flashing, two-part with single transverse joint from an inclination of 25°. For roof pitches of 10° - 25°: Transverse joint with dense suspension strip.

Construction / components:

- 1 Ridge purlin
- 2 Soft wood fibreboard
- 3 Rafters / Thermal insulation between rafters
- 4 Thermal insulation under rafters
- 5 Vapour barrier
- 6 Inner panelling
- 7 Timber formwork
- 8 Fan ridge element (prefabricated)

Applicability notice for structural connections for Solrif complete roof solutions © Ernst Schweizer AG.

This structural depiction serves as an implementation concept and as a recommendation for safe realisation. Images are illustrative and may differ from actual components.

Because of national construction specifications and regional practices, these should be checked on a project-specific basis and adapted if necessary. Please refer to the SIA 232/1 standard for Switzerland, the ZVDH rules for Germany and ÖNROM B 4119:2018 03 Planning and execution of underroof constructions and underlays for Austria. Otherwise, the General Terms and Conditions of Ernst Schweizer AG (www.ernstschweizer.ch/agb) apply.